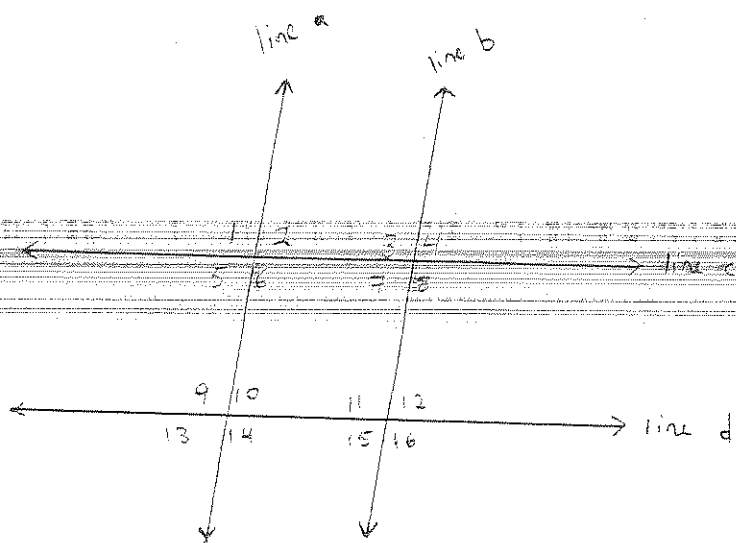


Complete.

- 1) If $m\angle 2 = 85$, then $m\angle 6 =$ _____ and $m\angle 7 =$ _____
- 2) If $m\angle 8 = 83$, then $m\angle 16 =$ _____ and $m\angle 10 =$ _____
- 3) If $m\angle 9 = 105$, then $m\angle 10 =$ _____ and $m\angle 16 =$ _____
- 4) If $m\angle 15 = 96$, then $m\angle 8 =$ _____ and $m\angle 1 =$ _____

$a \parallel b$
 $a \parallel b$
 line a is parallel to line b

$c \parallel d$
 $c \parallel d$
 line c is parallel to line d



Write the numbers for the right angles that have the same acute measure: _____

Write the numbers for the right angles that have the same obtuse measure: _____

If $m\angle 1 = 100^\circ$, find the following angle measurements:

- | | |
|---------------|----------------|
| $m\angle 2 =$ | $m\angle 16 =$ |
| $m\angle 3 =$ | $m\angle 12 =$ |
| $m\angle 7 =$ | $m\angle 13 =$ |