

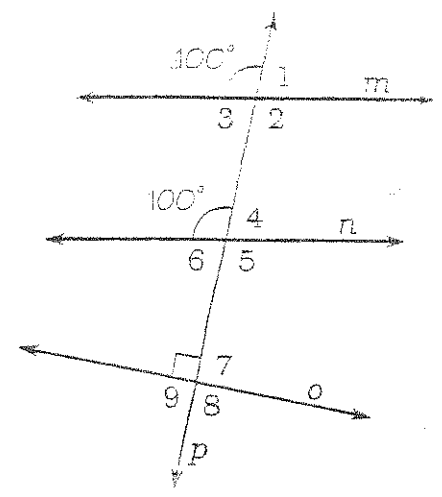
According to First-Year Student Bix Baddle, What Is the Most Confusing Thing at College?



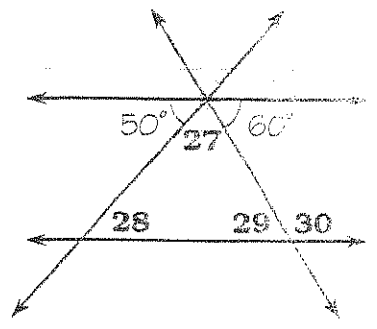
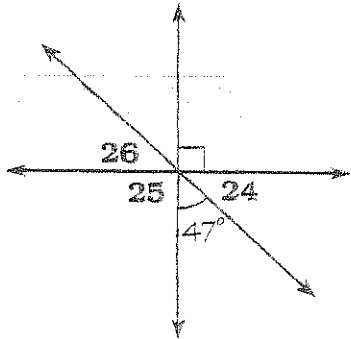
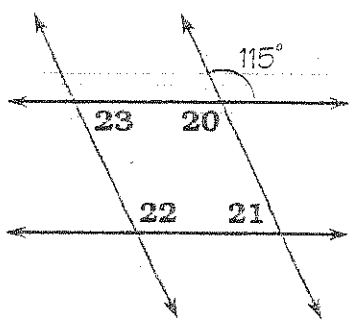
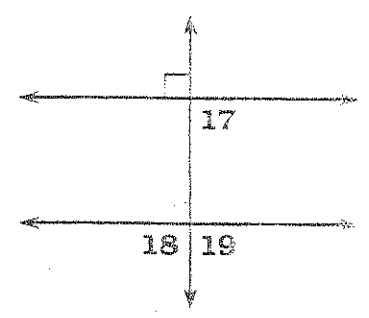
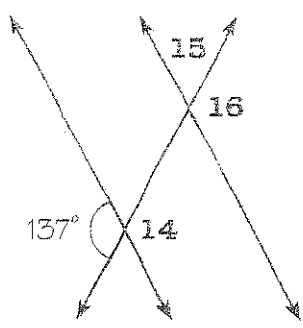
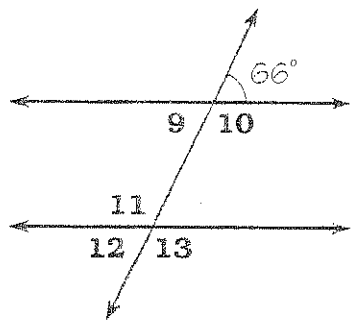
Find each answer in the Code Key and notice the letter below it. Write this letter in the box at the bottom of the page containing the exercise number.

In Exercises 1-8, write *true* or *false* next to the statement. If the statement is false, explain why.

- ___ 1. $\angle 1$ and $\angle 4$ are corresponding angles.
- ___ 2. $\angle 1$ and $\angle 4$ are congruent.
- ___ 3. $\angle 4$ and $\angle 7$ are corresponding angles.
- ___ 4. $\angle 4$ and $\angle 7$ are congruent.
- ___ 5. $\angle 1$, $\angle 3$, $\angle 4$, and $\angle 6$ all measure 80° .
- ___ 6. $\angle 2$, $\angle 5$, and $\angle 8$ all measure 100° .
- ___ 7. Lines m , n , and o are parallel.
- ___ 8. Lines o and p are perpendicular.



In Exercises 9-30, find the measure of the angle. (The angle number is the exercise number.) Assume that lines in each figure that do not intersect are parallel.



CODE	KEY	true	false	43°	50°	60°	65°	66°	70°	90°	114°	115°	120°	137°															
28	16	6	23	11	9	26	15	21	12	10	13	4	27	29	7	20	25	5	1	18	3	22	30	17	2	8	19	24	14